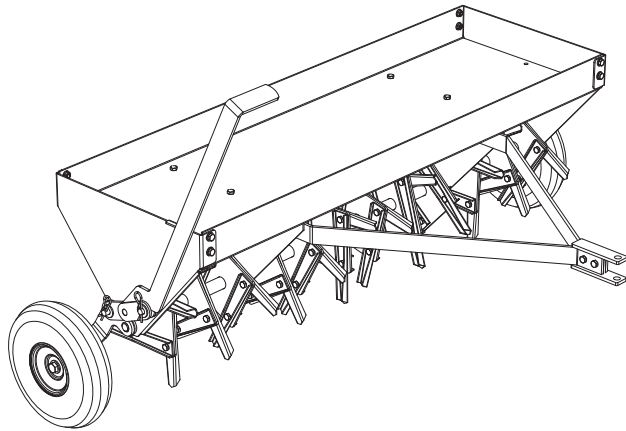


**5301490**  
**MODEL NO. PLG-48**  
**48" Tow Behind Plug Aerator**

**ASSEMBLY / OPERATION INSTRUCTIONS / PARTS**



**GENERAL INFORMATION**

The purpose of this manual is to assist you in operating and maintaining your plug aerator. Please read it carefully as it furnishes information which will help you achieve years of dependable trouble free operation.

**WARRANTY / PARTS / SERVICE**

Products are warranted for one year from date of purchase against manufacturer or workmanship defects.

Your authorized dealer is the best source of replacement parts and service. To obtain prompt, efficient service, always remember to give the following information:

1. Correct part description and part number.
2. Model Number of your sprayer.
3. Serial Number of your sprayer.

Part description and part numbers can be obtained from the illustrated parts list section of this manual.

Whenever you need parts or repair service, contact your distributor / dealer first. For warranty work always take your original sales slip, or other evidence of purchase date, to your distributor / dealer.

**ASSEMBLY INSTRUCTIONS**

Your plug aerator has been partially assembled at the factory for you convenience. It has been packaged "inverted" in the box. Remove the parts to the unit from the carton. Refer to the exploded view and parts list to help identify the parts.

Place the main frame on a flat surface, leaving the unit "inverted". This will be the best position for the tongue attachment procedure.

**Tongue Attachment:**

1. The tongue assembly will come packaged as shown in "Step 1".

2. Remove whiz locknuts from the bolts on the clevis and invert (1) tongue member as shown. (See Step 2)
3. Step 3 shows tongue bars bolted to the hitch clevis.
4. Step 4 shows hardware orientation at mounting location to unit. (Typ. both sides)
5. Bolt the tongue to the main unit. (Step 5)

**Handle Attachment:**

1. Position handle over pins indicated in step 1.
2. Place 1/2" flatwashers over pins shown in step 2.
3. Secure in place with hairpin cotters per step 3

**OPERATING INSTRUCTIONS**

Aerating produces holes in the ground that allows water, fertilizer, and air to permeate the soil and reach the roots. It is recommended that the lawn be mowed and clippings removed prior to aerating. Water the ground as necessary. This will soften up the soil for the aerator to penetrate the ground easier.

Your plug aerator should be attached to your rider or tractor on a level surface and the wheels should be in the lowered position. (handle in the locked position)

Once you are ready to use your aerator, use a low gear and then disengage the wheels by moving the handle out of the locked position. Once you start moving, the tines will be forced into the ground. Speed should only be increased only as ground conditions permit. Aeration should be done in a straight line.

**CAUTION:**

Do not turn sharply, as this may damage the ground. The top tray provides a place for you to put weights. More weight will allow the tines to penetrate the ground deeper. Maximum weight is approx. 175 lbs..

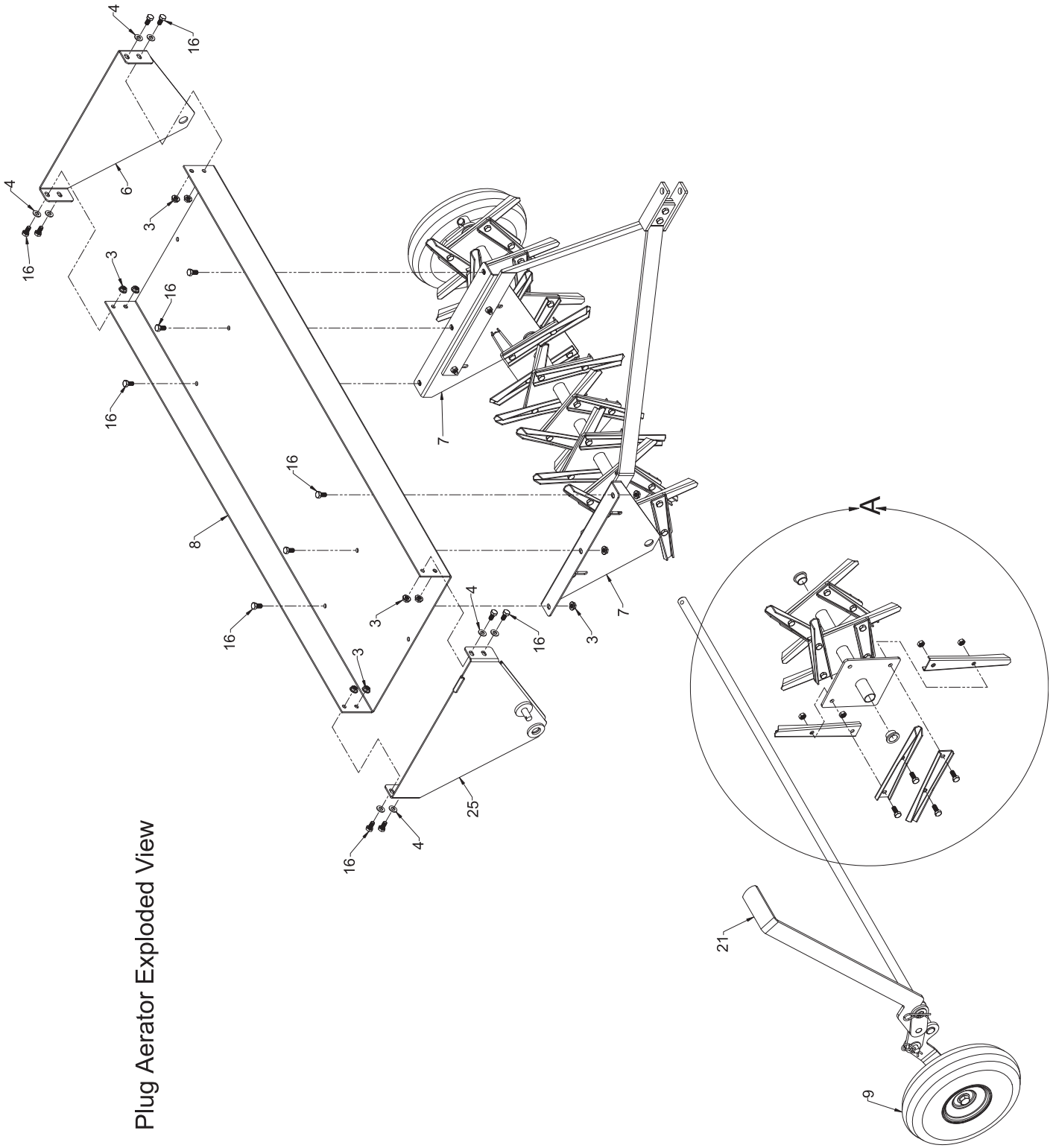
Do not pull your aerator over hard surfaces with the wheels disengaged! This will damage the tines.



WWW.FIMCOINDUSTRIES.COM

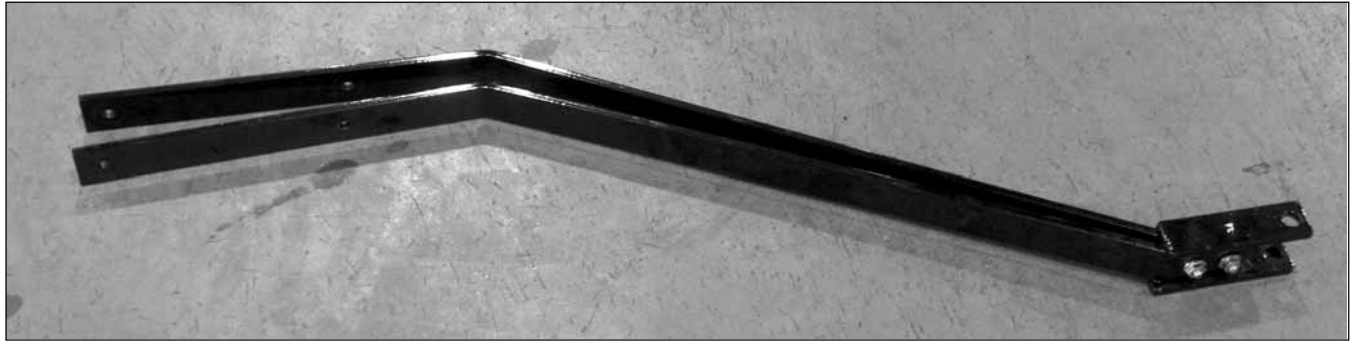
1000 FIMCO LANE • P.O. BOX 1700 • NO. SIOUX CITY, SD 57049  
TOLL FREE: 800-831-0027 • TOLL FREE FAX: 800-494-0440  
Form No. 5004701 (1109 12/05) Printed In U.S.A.

Plug Aerator Exploded View



# 5 EASY STEPS TO ATTACH TONGUE TO UNIT

## STEP 1



TONGUE, AS IT IS PACKAGED

## STEP 2



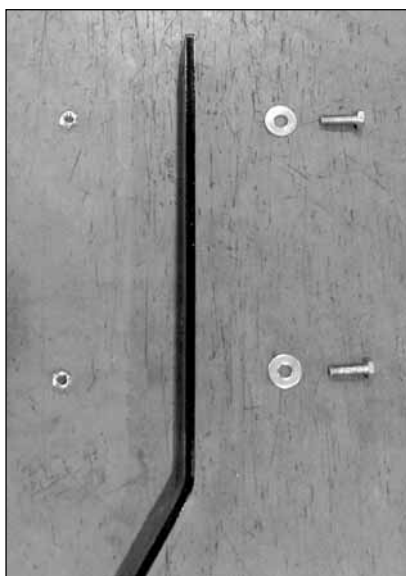
TONGUE WHIZ NUTS REMOVED

## STEP 3



TONGUE ASSEMBLED TO HITCH CLEVIS

## STEP 4



MOUNTING HARDWARE  
ORIENTATION

## STEP 5



TONGUE BEING ASSEMBLED TO UNIT

## 3 EASY STEPS TO ATTACH HANDLE TO UNIT

### STEP 1



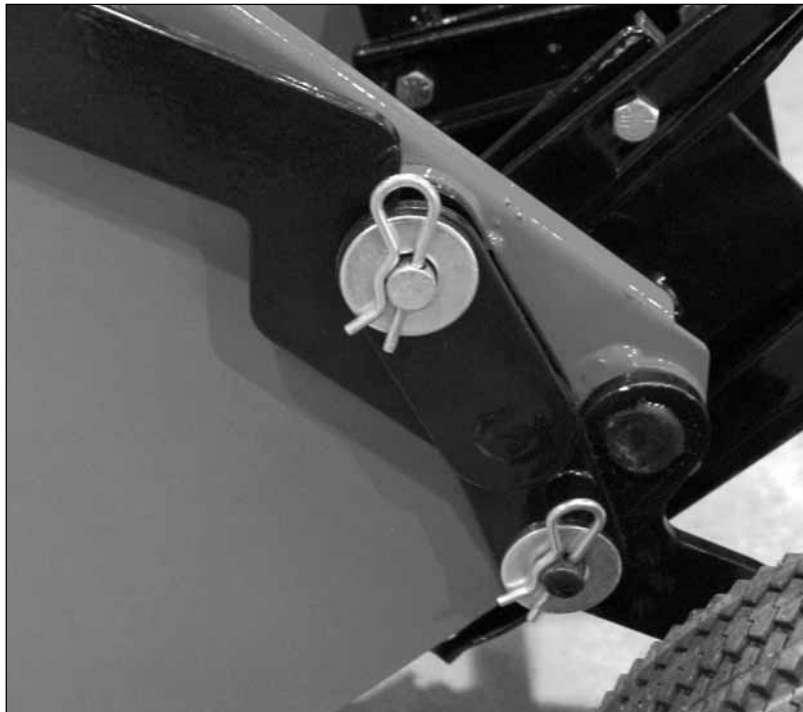
HANDLE ATTACHMENT TO PINS

### STEP 2



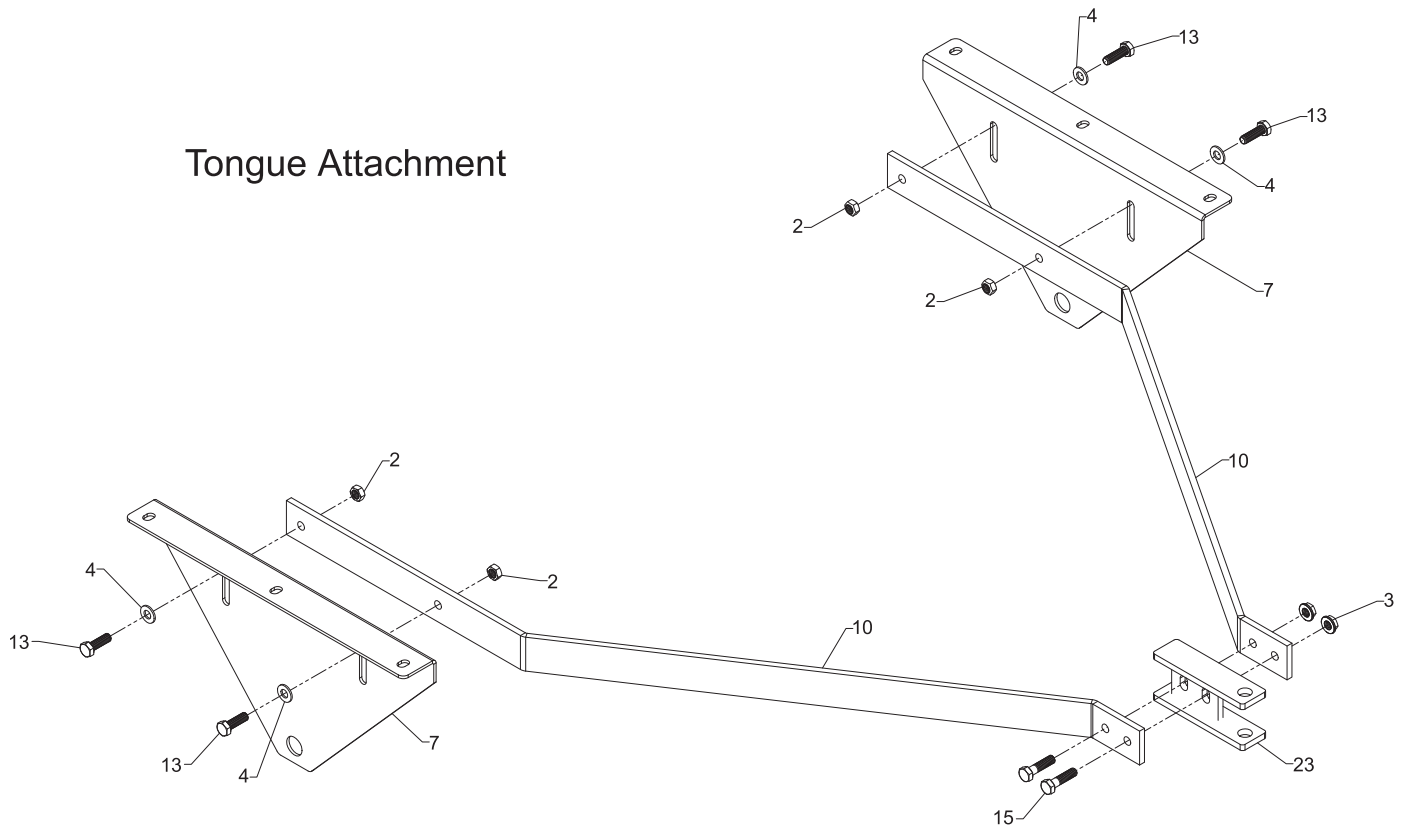
WASHER PLACEMENT

### STEP 3

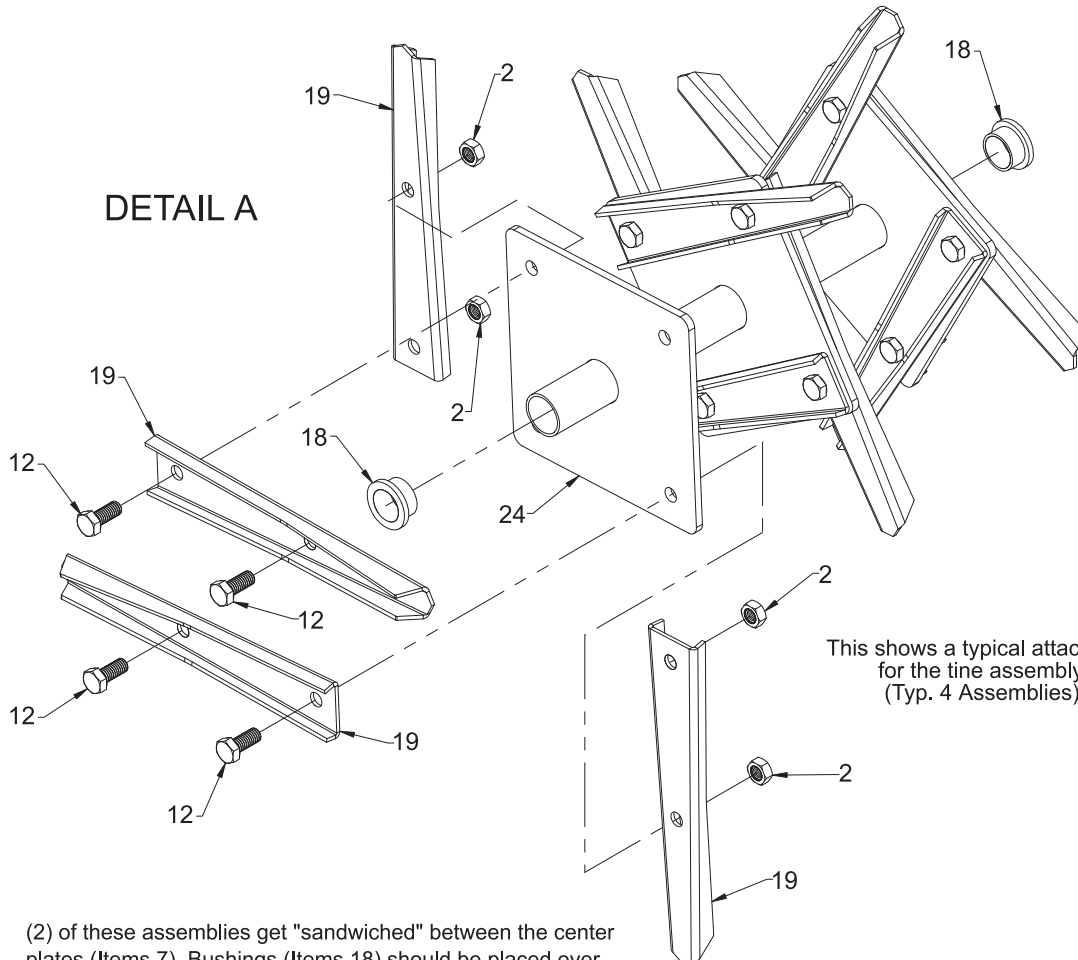


ASSEMBLED HANDLE

# Tongue Attachment



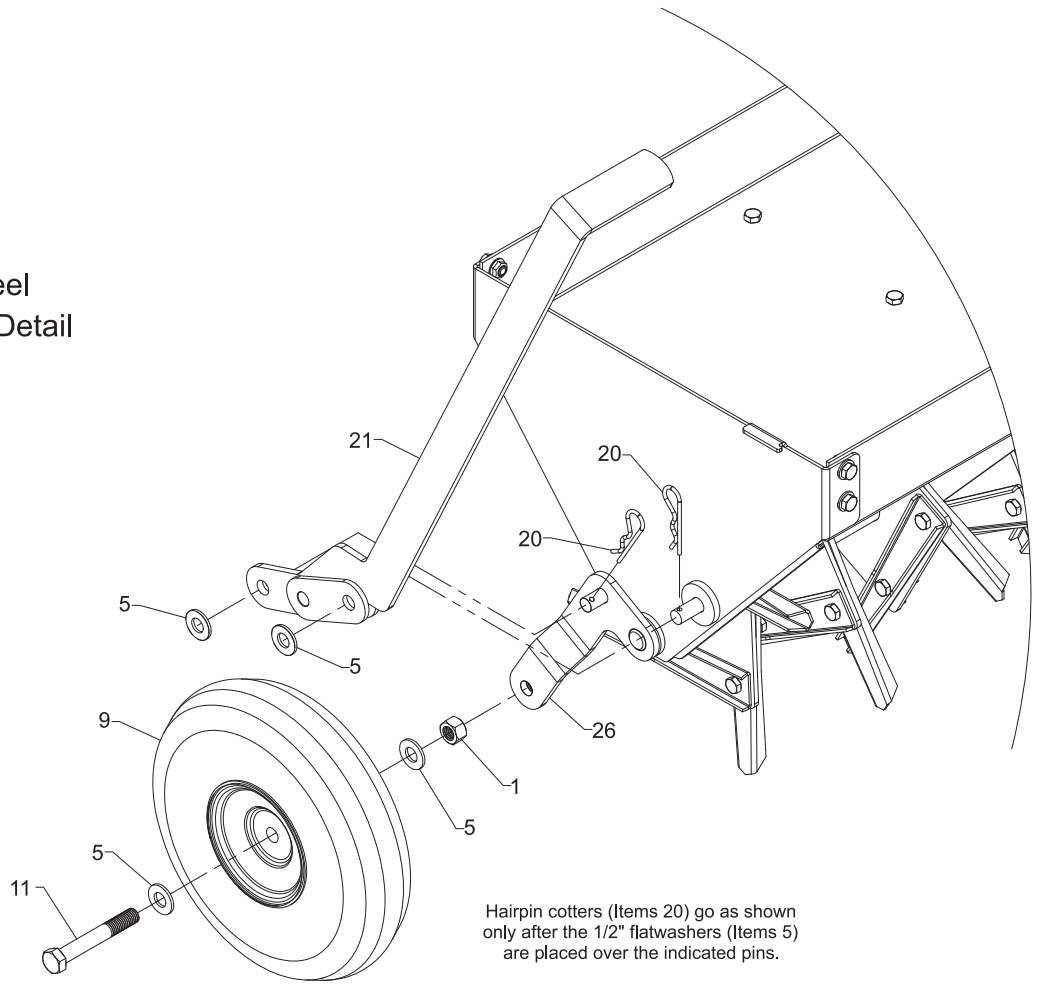
## DETAIL A



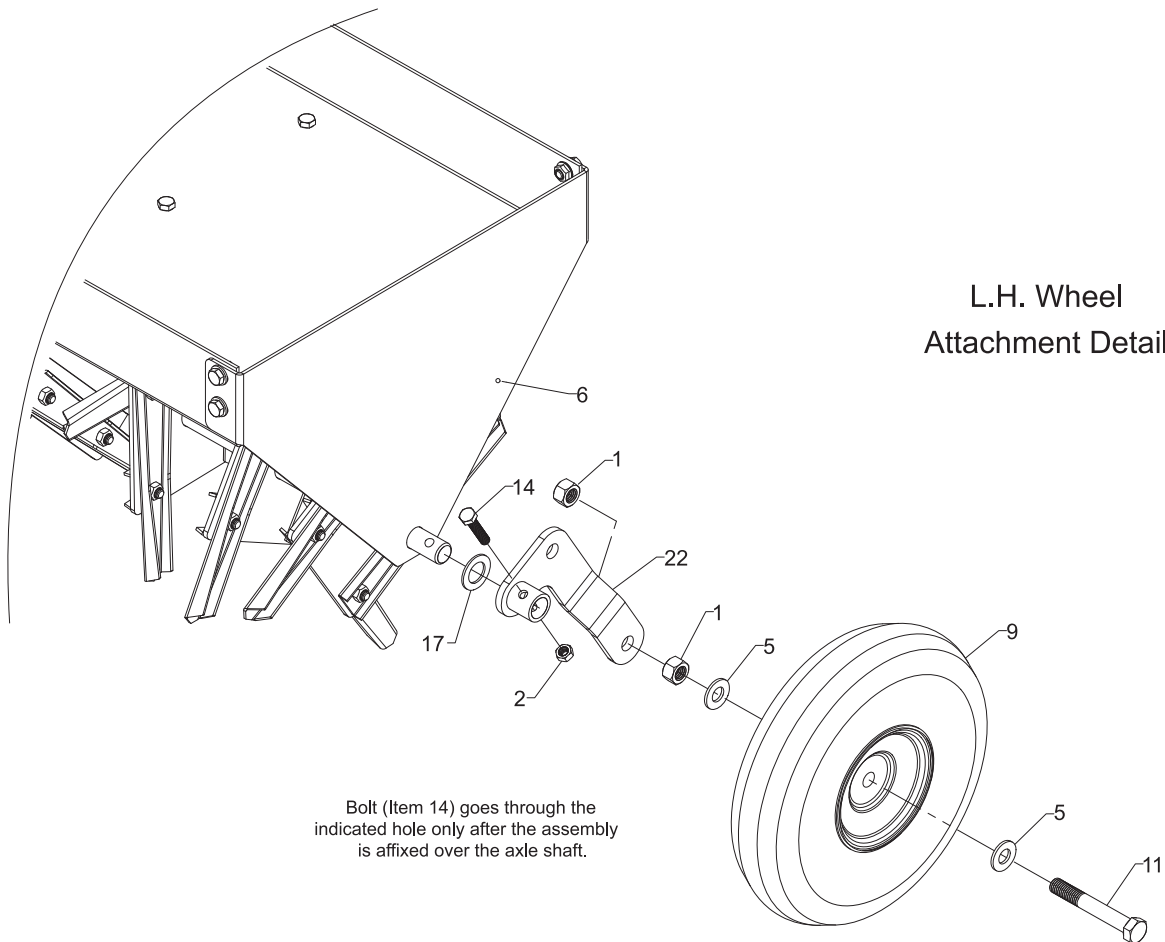
This shows a typical attachment for the tine assembly. (Typ. 4 Assemblies)

(2) of these assemblies get "sandwiched" between the center plates (Items 7). Bushings (Items 18) should be placed over the ends of the tube that slides over the axle. (Typ. 4 places)

### R.H. Wheel Attachment Detail



### L.H. Wheel Attachment Detail



Repair Parts List for: PLG-48

| ITEM NO. | PART NUMBER | QTY | DESCRIPTION  |
|----------|-------------|-----|--|
| 1        | 5006011     | 4   | 1/2"-13 Hex Nut                                    |
| 2        | 5006035     | 53  | 5/16"-18 Hex Locknut                               |
| 3        | 5006307     | 16  | 5/16"-18 Hex Whiz (Flange) Locknut                 |
| 4        | 5016020     | 12  | Flatwasher, 5/16"                                  |
| 5        | 5016031     | 6   | Flatwasher, 1/2"                                   |
| 6        | 5017987     | 1   | Side Plate (L.H.) (Plug Aerator)                   |
| 7        | 5017988     | 2   | Center Plate                                       |
| 8        | 5017989     | 1   | Plug Aerator Top Plate                             |
| 9        | 5021030     | 2   | 4.10/3.50 x 4" Wheel (White) w/2 1/4" Offset Hub   |
| 10       | 5028307     | 2   | Tongue Bar Half                                    |
| 11       | 5034022     | 2   | H.H.C.S., 1/2"-13 x 3 1/2"                         |
| 12       | 5034038     | 48  | H.H.C.S., 5/16"-18 x 3/4"                          |
| 13       | 5034042     | 4   | H.H.C.S., 5/16"-18 x 1"                            |
| 14       | 5034069     | 1   | H.H.C.S., 5/16"-18 x 1 1/2" (Full Thread)          |
| 15       | 5034076     | 2   | H.H.C.S., 5/16"-18 x 1 1/4"                        |
| 16       | 5034154     | 14  | H.H.C.S., 5/16"-18 x 5/8"                          |
| 17       | 5041094     | 1   | Machine Bushing, 3/4" I.D. (14 Ga.) x 1 1/4" O.D.  |
| 18       | 5041143     | 8   | Bushing, 3/4" (Shaft) x 7/8" O.D. x 1/2" Long      |
| 19       | 5069002     | 48  | Tine   |
| 20       | 5101065     | 2   | #211 Hitch Pin Clip, (Hair-Pin Cotter 0.120")      |
| 21       | 5275283     | 1   | Handle Weldment (Plug & Spike Aerator)             |
| 22       | 5275284     | 1   | Wheel Mount Weldment (L.H.) (Plug & Spike Aerator) |
| 23       | 5275285     | 1   | Bolt-On Hitch Weldment                             |
| 24       | 5275286     | 4   | Tine Mount Plate Weldment (Plug Aerator)           |
| 25       | 5275287     | 1   | Side Plate Weldment (Plug & Spike Aerator)         |
| 26       | 5275288     | 1   | Axle Mount Weldment (Plug Aerator)                 |