

MODEL NUMBER: ZTR1-ZTR ADAPTOR

- SB4 - 4ft Blade
- SB5 - 5ft Blade
- SB6 - 6ft Blade



SNOW PLOW OPERATION INSTRUCTIONS

1. While blade is touching ground, slide adjustment tube (04) vertically, up or down, until rotating lift bar (05) is horizontal and parallel with ground. Tighten bolt (23).
2. With collar (07) pin against bottom of side support bracket (06) tighten all bolts on collar. Both sides must be secured in this manner to prevent tractor front lifting during operation.
3. Adjust plow glides (12) such that the bottom of the blade is approximately 1/2" above ground. Smooth Surfaces may require a lower setting.
4. Adjust support tube (03) such that blade clears ZTR caster wheels when positioned at an angle. (Rotate blade to insure clearance.) Secure using side bolt (23).
5. Adjust foot lift (10), up or down, such that approximately 6-8" of clearance exist on ZTR foot deck. Secure using the rear bolt (23) on the rotating lift bar (05).
6. Begin plowing at a slow speed to insure proper function of all parts.

AMAZING ATV
MACHINERY

Assembly Instructions

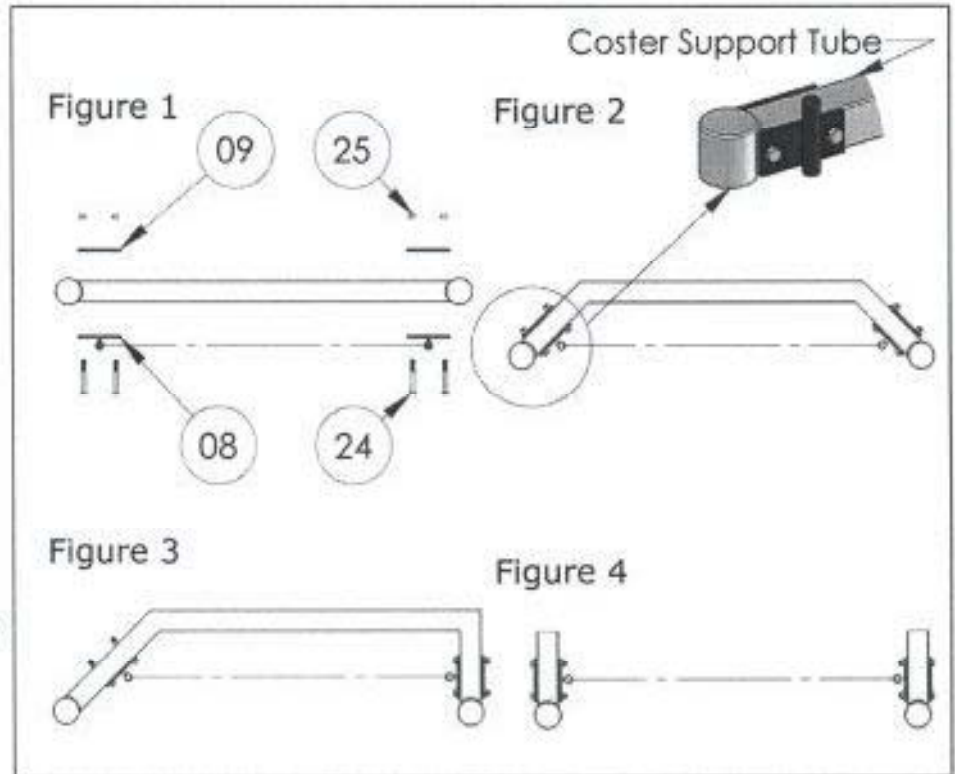
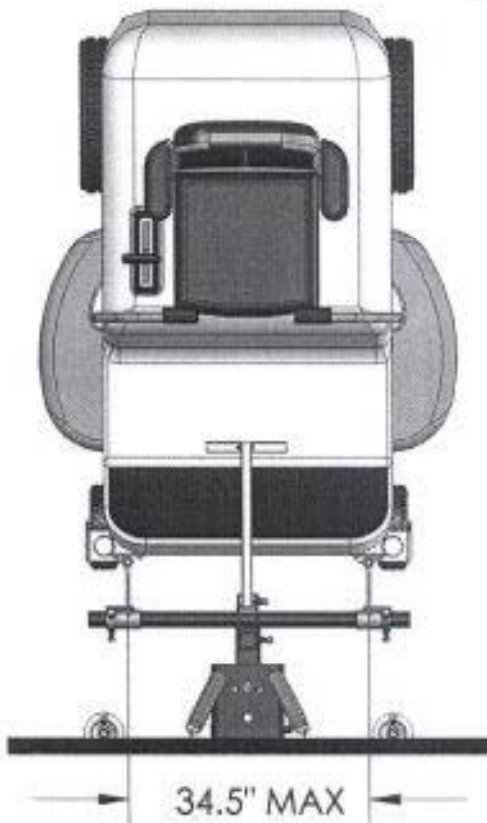
Step 1.

Snow blade will mount on these four front types figure 1 thru 4. Mounting is the same for all types past this step.

Locate and drill holes using front plate (08) in front of caster support tube on zero turn tractor. Place front plate (08) close to the end of the bar like shown. Works best when plate butts up against the weld of the caster bearing tube. The maximum distance between the pins is 34.5 inches. Keep pins parallel to the tractor noted by the dotted line. Mark holes and drill in the center of the caster support tube.

Step 2.

Secure front plates (08) and back plates (09) as shown. Use bolts (24) and lock nuts (25).



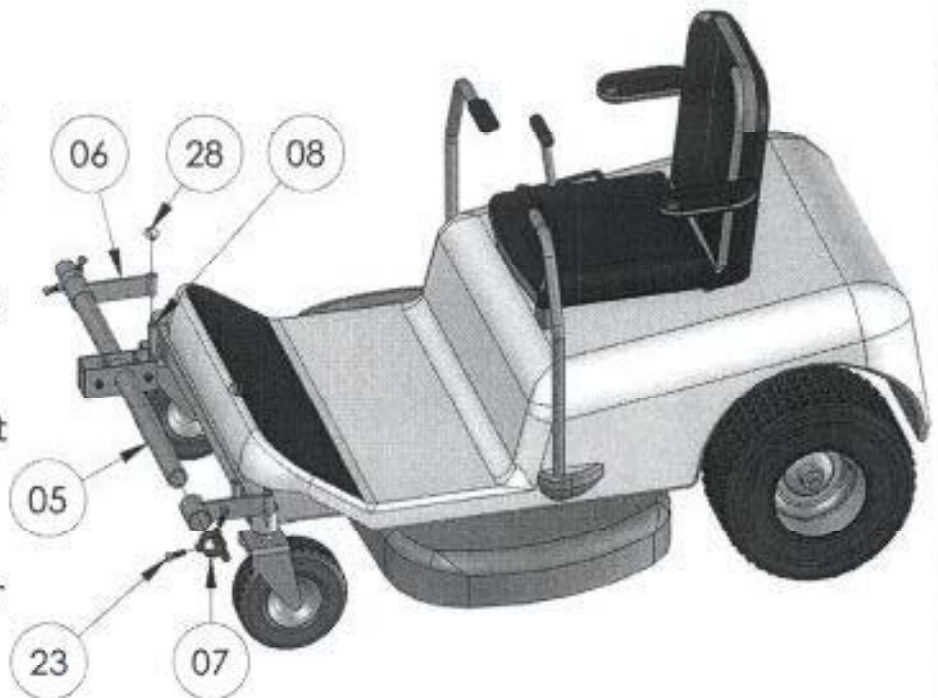
Step 3.

Place side supports (06) onto front plate pins (08). Secure with linch pin (28).

Slide rotating lift assembly (05) into support brackets (06).

Slide collar (07) onto ends of rotating lift bar (05). Collar's pin should rest underneath side support when center on rotating lift bar (05) parallel to the ground.

Insert bolts (23) into collar (07) and loosely tighten. Repeat for opposite side.



Step 4. Figure 5

Attach foot bar (10c) to foot lift (10) using bolt (29) and nut (25).

Insert foot lift into rear opening of rotating lift bar (05), then secure using bolt (23).

Insert adjustment tube (04) into front of rotating lift bar (05). Then secure using bolt (23).

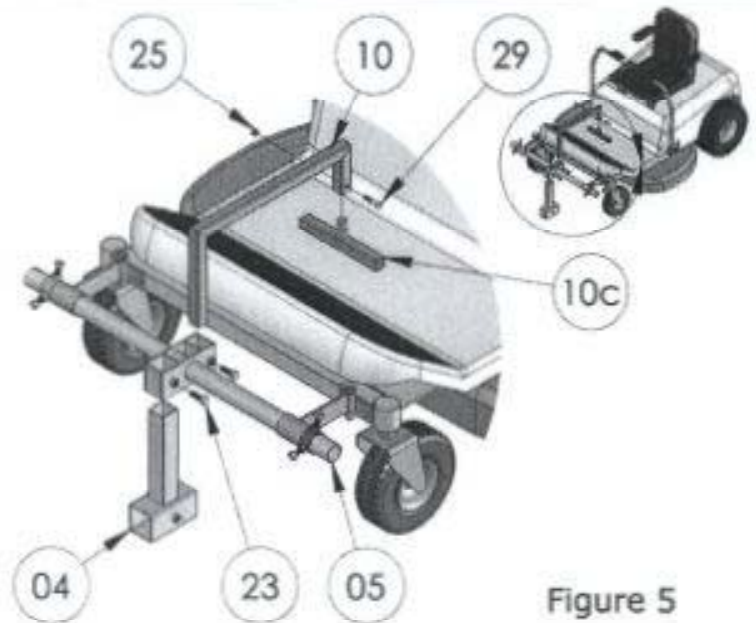


Figure 5

Step 5. Figure 6

Attach wear strip (11) to the front of the snow blade (01). Use bolts (20) and locknuts (21).

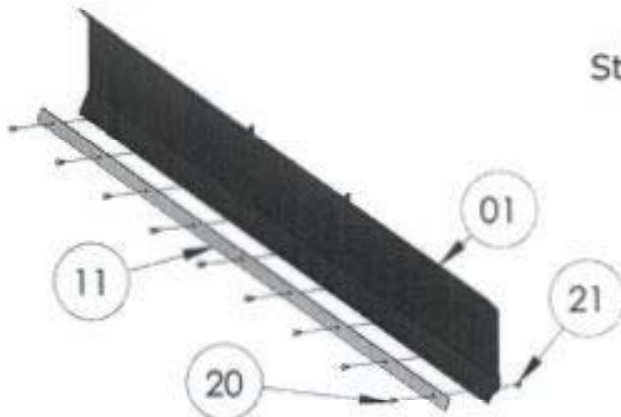


Figure 6

Step 6. Figure 7

Attach springs (18) to snow blade (01). Next attach Springs (18) to pivot plate (02). Attach pivot plate to snow blade (01). Use blade pivot rod (13) and hairpin (22).

Caution springs will be under load and will require some force to install pivot pin.

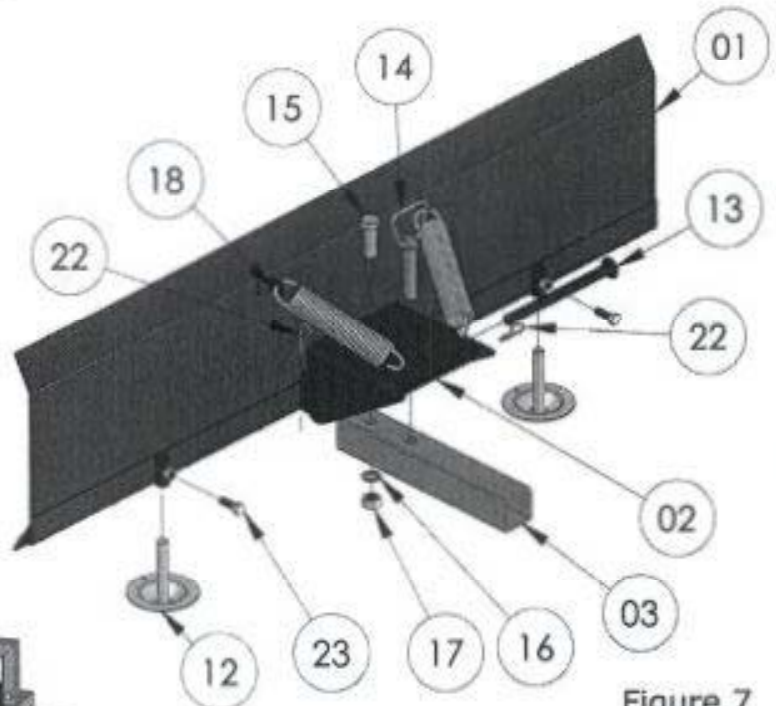


Figure 7

Step 7. Figure 7

Attach support tube (03) to pivot plate (02). Use bolt (15), lock washer (16), nut (17), handle pivot pin (14) and hairpin (22) as shown.

Attach glide (12) using bolt (23).

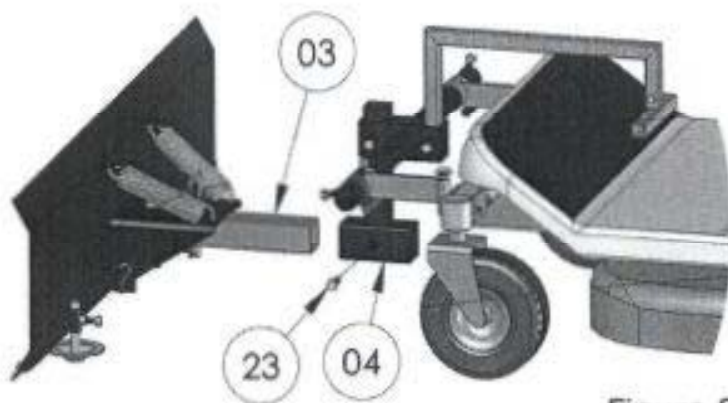


Figure 8

Step 8. Figure 8

Insert support tube (03) into adjustment tube (04). Tighten bolt (23). Adjust assembly to desired height and tighten all bolts.