

ASSEMBLY INSTRUCTIONS

AcEASE

Kunz Engineering Inc.

Mendota, IL

Wetlands Kit
003905



READ THE COMPLETE ASSEMBLY INSTRUCTIONS BEFORE STARTING THE ASSEMBLY.

You should have the following parts with the wetlands kit:

- one rear tire extension
- two casters
- six 15/600 x 6 tires
- one hardware package



The rough cut mower will not float with the wetlands kit installed. Do not go into water deeper than 2-3”.



Before doing any installations or adjustments shut off mower engine.

A. INSTALL REAR TIRE EXTENSION (Refer to figure 1)

1. For new unassembled mowers, step one can be omitted. For existing mowers, block the mower deck up to allow for easy tire removal. Remove the right rear tire assembly and save the tire for step 2.
2. Insert the rear tire extension into the lower rear opening of the right carrier arm. Align the hole on the rear tire extension with the hole on the carrier arm. Place a 5/8” x 7.5” bolt through the aligned holes in the correct orientation shown in figure 1. Place a 5/8” x 7.5” bolt in the other available rear tire extension hole using the correct orientation shown in figure 1.
3. Install both tires in the following order and fasten securely. (washer, cup washer, tire, cup washer, washer & lock nut)

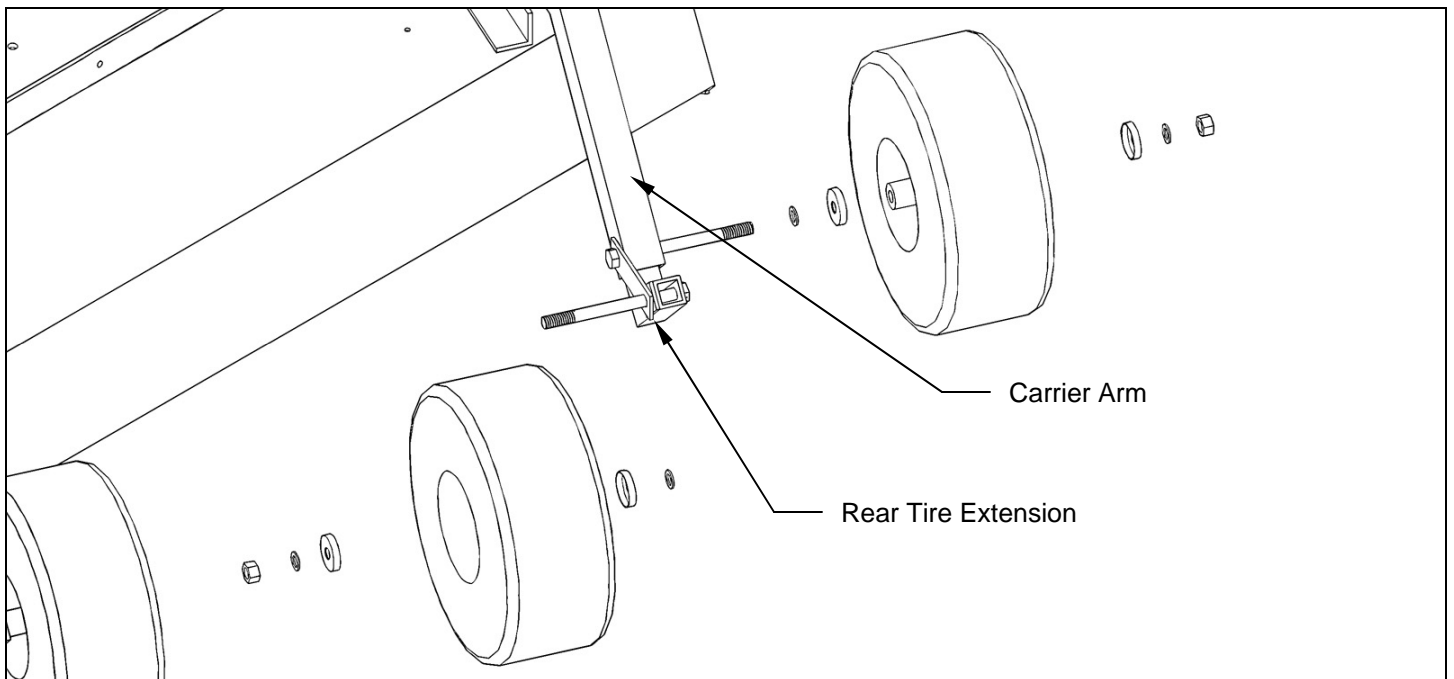


Figure 1. Right Rear Tire Extension

B. INSTALL FRONT CASTERS (Refer to figure 2)

1. For new unassembled mowers, step one can be omitted. For existing mowers, remove the cotter pin that holds the front caster assemblies in place and remove the caster assemblies.

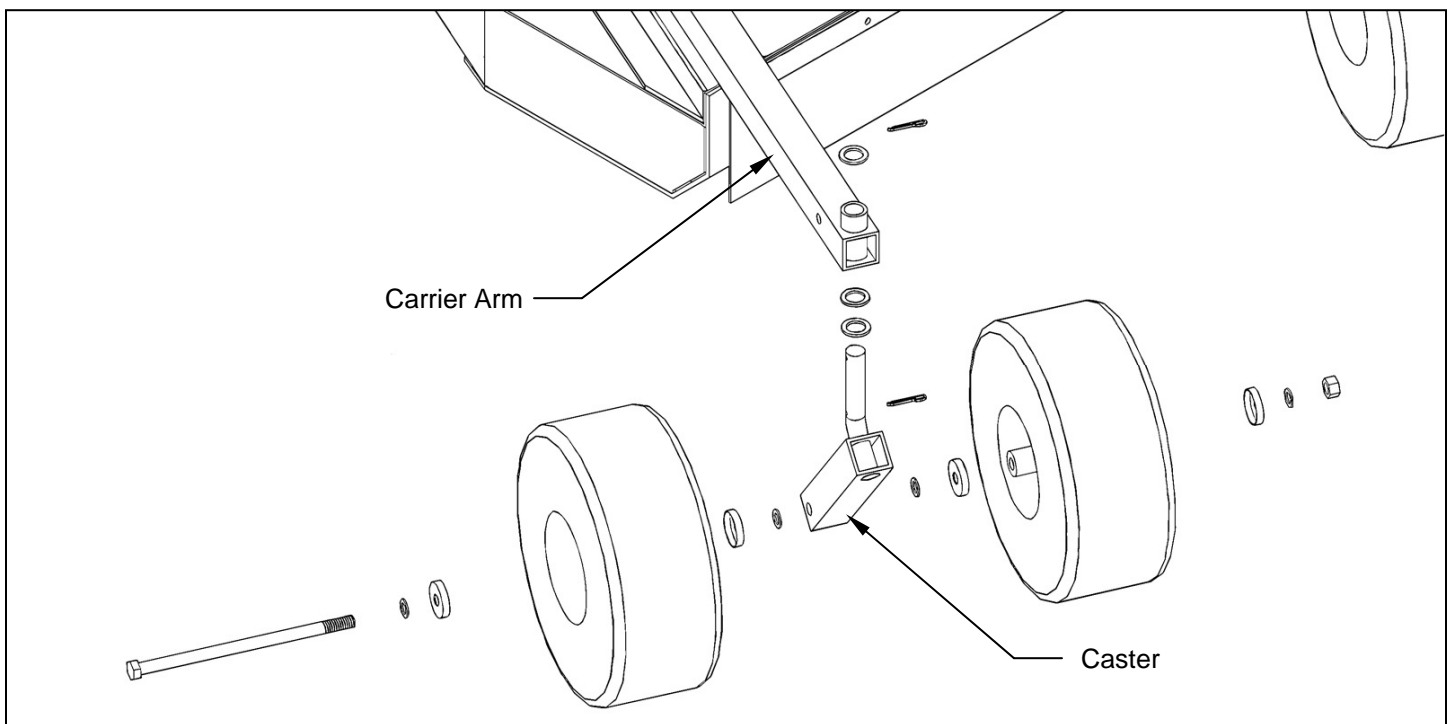


Figure 2. Assembly of Front Caster

2. Install a new caster on both sides of the mower in place of the old caster assemblies. Place two washers on the bottom of the carrier arm and one on top. Install the cotter pin and bend to secure.
3. For this step, use the 5/8" x 12" bolts provided. Install both tires in the following order and fasten securely. (bolt, washer, cup washer, tire, cup washer, washer, caster, washer, cup washer, tire, cup washer, washer & lock nut)

C. INSTALL LEFT REAR TIRES (Refer to figure 3)

4. For new unassembled mowers, step one can be omitted. For existing mowers, remove the left rear tire assembly and save the tire for step 2.
5. For this step, use the 5/8" x 12" bolt provided. Install both tires in the following order and fasten securely. (bolt, washer, cup washer, tire, cup washer, washer, carrier arm, washer, cup washer, tire, cup washer, washer & lock nut)

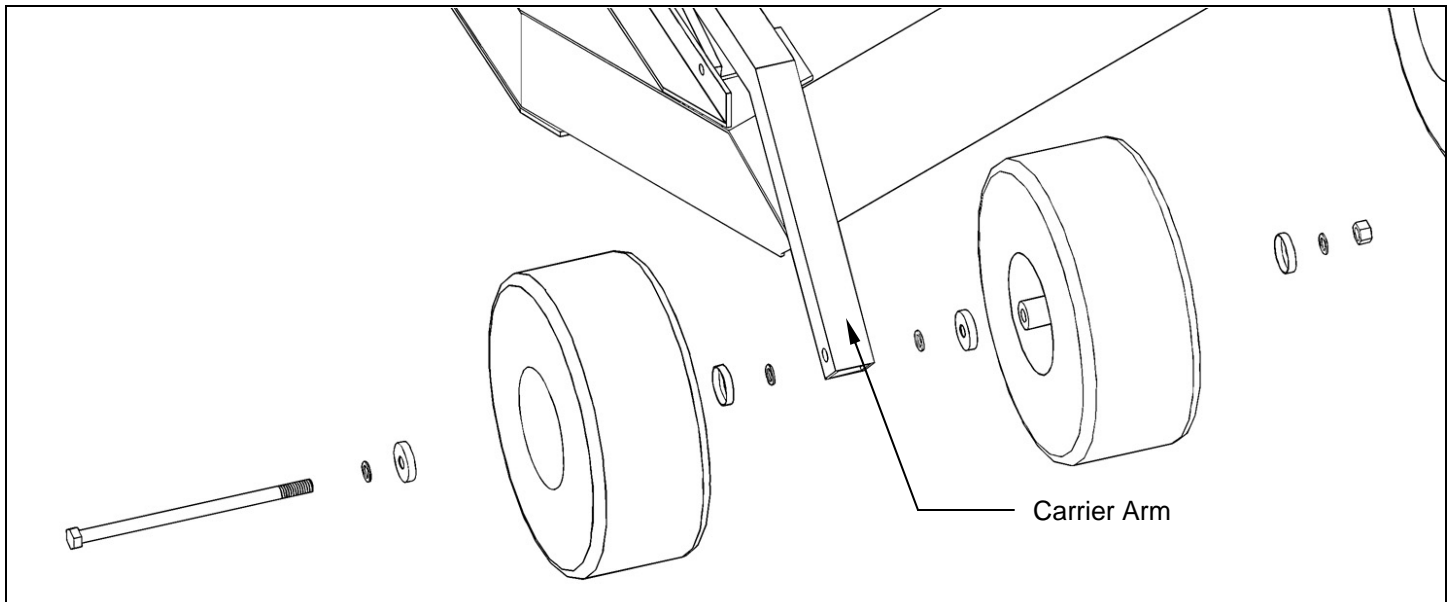
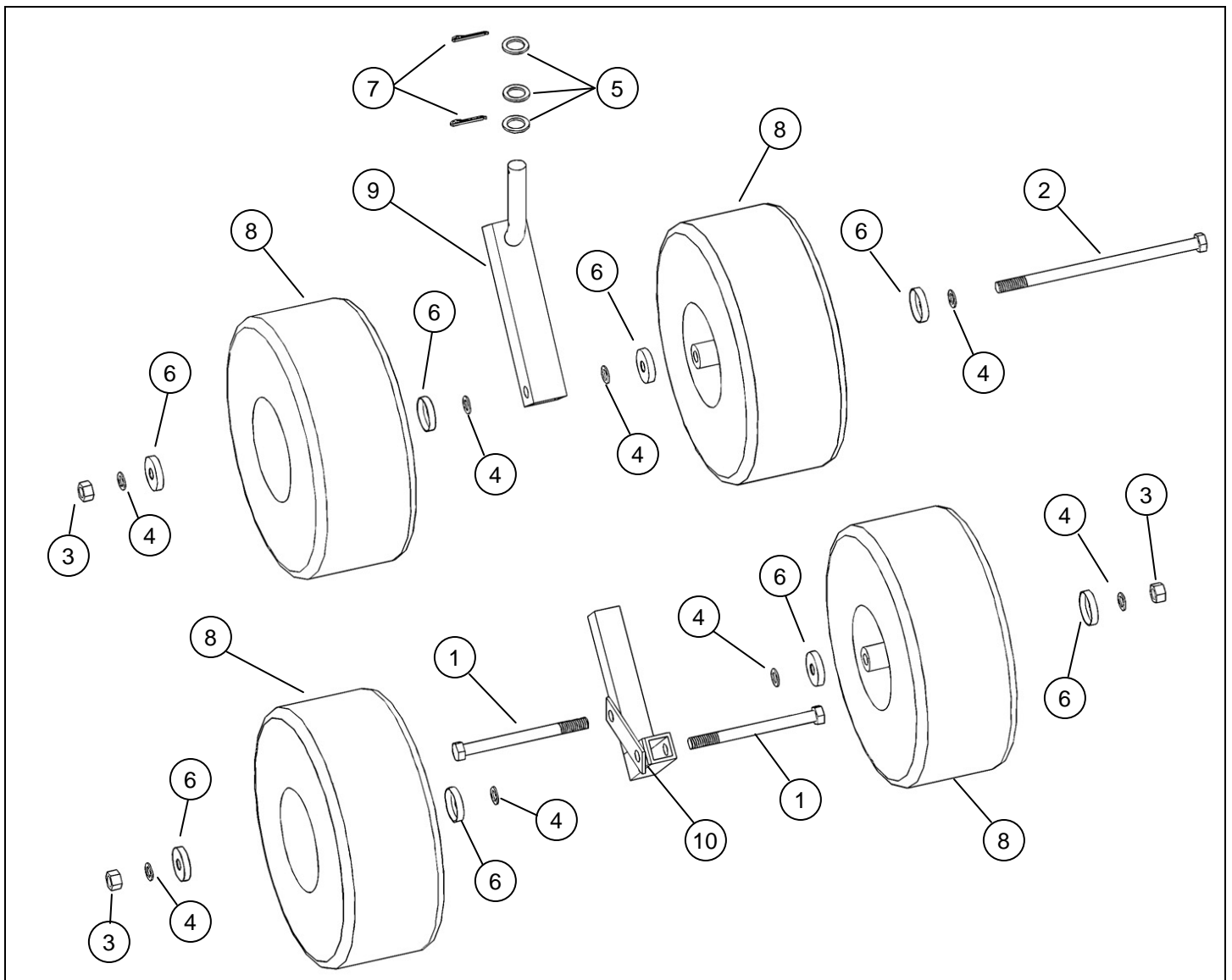


Figure 3. Assembly of Left Rear Tires



PARTS LIST

<u>Item</u>	<u>Part #</u>	<u>Description</u>	<u>Quantity</u>
1	202140	Hex Head Bolt 5/8" x 7.5"	2
2	202142	Hex Head Bolt 5/8" x 12.0"	3
3	212015	Centered Lock Nut 5/8"	5
4	214018	Machinery Washer 5/8" I.D. x 1" O.D.	16
5	214019	Machinery Washer 1" I.D. x 1.5" O.D.	6
6	214021	Cup Washer	16
7	215002	Cotter Pin	4
8	226003	Offset Wheel Assy. (15/600 x 6, 2 Ply Turf)	6
9	900090	Caster	2
10	900091	Rear Tire Extension	1