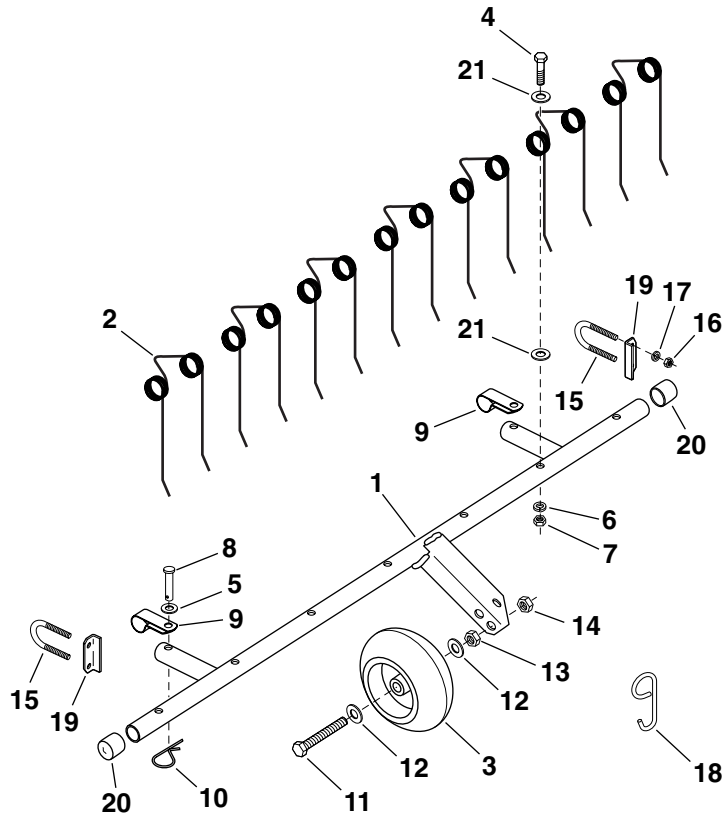


# REPAIR PARTS FOR MODEL 45-0343 DETHATCHER FOR SWEEPERS



REF. NO.	PART NO.	QTY.	DESCRIPTION	REF. NO.	PART NO.	QTY.	DESCRIPTION
1	64650	1	Spring Mount Frame Assem.	12	R19171616	2	Washer, 1/2"
2	46761	7	Spring Tine	13	43019	1	Jam Nut, Plain 1/2-13
3	48098	1	Gauge Wheel	14	48115	1	Jam Nut, Nylock 1/2-13
4	43085	7	Hex Bolt, 5/16-18 x 1-1/2"	15	48813	2	U-Bolt, 1/4-20
5	43081	2	Washer, 5/16"	16	43178	4	Hex Nut, 1/4-20
6	43086	7	Lock Washer, 5/16"	17	43177	4	Lock Washer, 1/4"
7	43083	7	Hex Nut, 5/16-18	18	48811	2	Hook, Transport
8	48812	2	Clevis Pin, 5/16" x 1-3/8"	19	25054	2	Bracket, U-Bolt Clamp
9	47413	2	Clamp	20	44481	2	Vinyl Cap
10	43055	2	Hair Cotter Pin, 3/32"	21	43070	14	Washer, 3/8"
11	44025	1	Hex Bolt, 1/2-13 x 3-1/2"		48824	1	Owner's Manual