

OPERATION INSTRUCTIONS

1. TO LOWER FOR PUSHING SNOW:

Step behind blade and remove keyhole pin. Lift one side of blade out of retainer until slide hinge fits over the push bar, then lower blade to ground. Re-insert keyhole pin. Repeat same procedure for other side of blade.

2. TO PUSH SNOW:

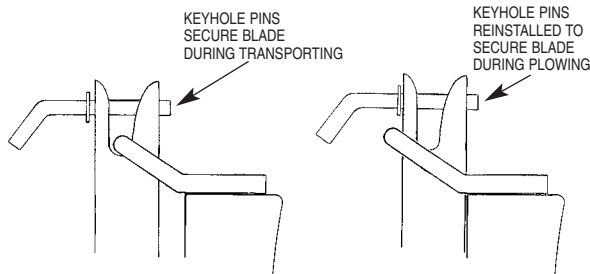
Drive forward slowly - blade will engage for pushing. When push is finished, backing up disengages the blade until you are realigned for next push. Repeat this procedure until job is finished.

3. TO STORE BLADE FOR TRANSPORTING:

Reverse procedure from step 1 and re-insert keyhole pins.

4. TO STORE BLADE DURING OFF SEASON:

For maximum blade life, protect blade from sun by storing it inside or covering.



The blade can be angled by removing swivel pin, turning blade to desired position, and reinserting pin. (See below)

A.) Shows blade angled to right of driver

B.) Shows blade in straight forward position.

C.) Shows blade angled to left of driver



OPERATORS NOTE: WHEN PUSHING SNOW ONTO A PILE, ALWAYS DO SO WITH BLADE IN THE STRAIGHT FORWARD POSITION. PILING SNOW WITH BLADE ANGLED MAY CAUSE DAMAGE TO PLOW OR VEHICLE COMPONENTS.

The SNOWSPORT® ATV Utility Plow was designed to make moving snow convenient and easy by following some simple tips. Always keep current with the snowfall. It's easier to plow fresh snow. From the start of the season push the snow far enough out to allow for future snowfalls. Avoid overloading your equipment - push only enough snow with each pass to get the job done. To start a pass, accelerate slowly - allowing for tire traction and blade to accumulate snow. As you come to the end of a pass, reduce speed and apply brakes as needed. If snow is deep and/or compacted you may need to go over it two or three times.

- Always wear proper helmet.
- If blade is kept in warm storage, set blade outside and allow to cool - this prevents snow from freezing to blade when plowing.
- When transporting blade, secure it to hanger brackets with pins or locks
- Do not exceed 10 MPH when transporting plow
- Do not exceed 5 MPH when plowing
- Never pile snow on someone else's property, on street or sidewalks, by fire hydrants, mailboxes, water drains or electrical boxes
- Check with local regulations before pushing snow across roads - it may be illegal
- Do not pile snow near handicapped or parking areas
- Plow snow during low-traffic hours - be cautious of pedestrians and vehicles
- Never pile snow where it obstructs visibility of traffic
- Remember - always exercise safety, courtesy, and common sense
- Use lowest transmission gear, on 4WD select low range if equipped
- Be aware of engine temperature - avoid overheating
- Follow vehicle manufacturer's specifications for snowplowing

MANUFACTURER'S LIMITED WARRANTY

Agri-Cover, Inc. extends the following limited warranty on its SNOWSPORT ATV Utility Plow to the original retail purchaser:

Agri-Cover, Inc. warrants its SNOWSPORT ATV Utility Plow to be free from defects in material and workmanship under normal use for one (1) year from date of purchase.

ANY IMPLIED WARRANTY APPLICABLE TO THE SNOWSPORT ATV UTILITY PLOW IS LIMITED IN DURATION TO ONE YEAR FROM THE DATE OF PURCHASE. Agri-Cover's sole obligation under this warranty or any implied warranty is limited to the repair or replacement at its option, of defective parts only. No labor or service allowance is given or implied. IN NO EVENT SHALL AGRI-COVER, INC. BE LIABLE FOR INCIDENTAL, CONSEQUENTIAL, OR SPECIAL DAMAGES. Some states do not allow limitations on how long an implied warranty lasts or exclusions of incidental or consequential damages, so the above limitations and exclusions may not apply to you.

To obtain part replacements under this warranty, contact the Customer Service Department of Agri-Cover, Inc. at the address shown below. Warranty registration must be on file and/or proof of original purchase (detailed and dated receipt) required for warranty to be effective.

This warranty does not cover any failure due to abuse, misuse, alteration, neglect, improper assembly or installation, or improper maintenance.

This warranty gives you specific legal rights and you may have other rights which vary from state to state.



Agri-Cover, Inc.
Customer Service Dept.
Hwy. 281 N., PO Box 508
Jamestown, ND 58402
Phone (701) 251-1427

©Copyright 2005 AGRI-COVER, INC. All rights reserved.
U.S. Patent No. 6,817,118 and other patents pending.

Part No. 50191 REV:INIT

12/13/05TR350



Installation and Operators Guide

(Keep with vehicle for future reference)

AGRI-COVER, INC.
1-800-689-6612
www.mysnowsportatv.com

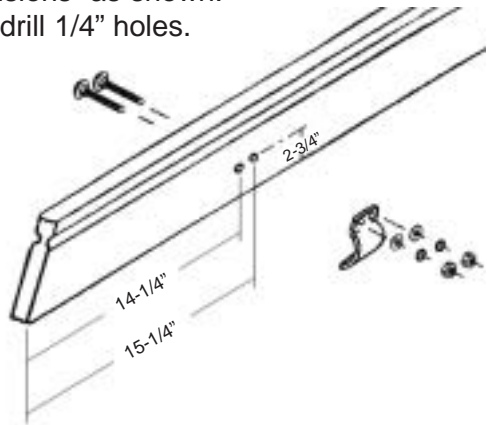
NOTE: We recommend installing front mount onto ATV before assembling plow. Instructions for mount are included in mount box.

TOOLS NEEDED:

- 3/8" power drill with 9/32" drill bit and PH3 phillips bit
- 9/16" box wrench (1)
- 3/4" box wrench (2)
- 7/16" wrench (1)
- Tape measure
- Marker
- Protective eyewear

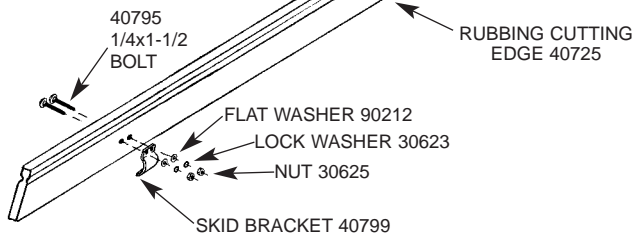
STEP 1

Mark each end of rubber cutting edge with dimensions as shown. Then drill 1/4" holes.



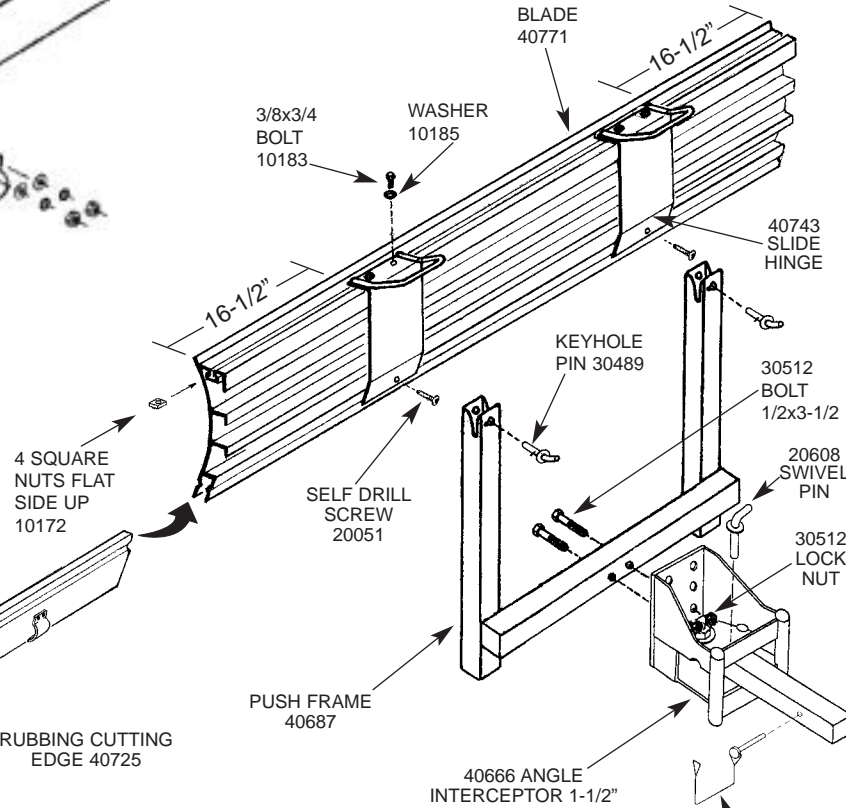
STEP 2

Bolt skid brackets to each end of rubber edge. Then align groove of rubber with groove of blade and slide into blade until flush at both ends.



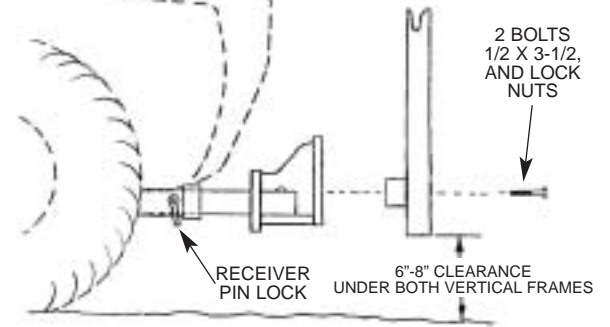
STEP 3

Measure and mark blade as shown to attach slide hinges. See below. Insert 4 square nuts into channel at top of blade. Align slide hinge with marks as measured. Then align square nuts to match with slide hinge holes and tighten. Attach bottom of slide hinge by running self-drilling screw into blade. (Note rubber cutting edge must be in place before installing these screws as they prevent rubber from sliding.)



STEP 4

Set ATV on level surface. Insert interceptor into receiver on ATV with leg turned up or down as needed for proper push frame clearance. Most installs will work with interceptor turned up as shown. (Higher clearance ATV's may require turning interceptor down). Align push frame and interceptor bolt patterns so they allow 6 to 8 inches ground clearance. Bolt push frame to interceptor. Install receiver pin lock to secure.



STEP 5

Hang blade assembly into retainer groove on push frame. Insert keyhole pins into holes on push frame. Plow is now ready for transport. **IMPORTANT:** Read proper plow operation instructions on next page before attempting to use plow.

