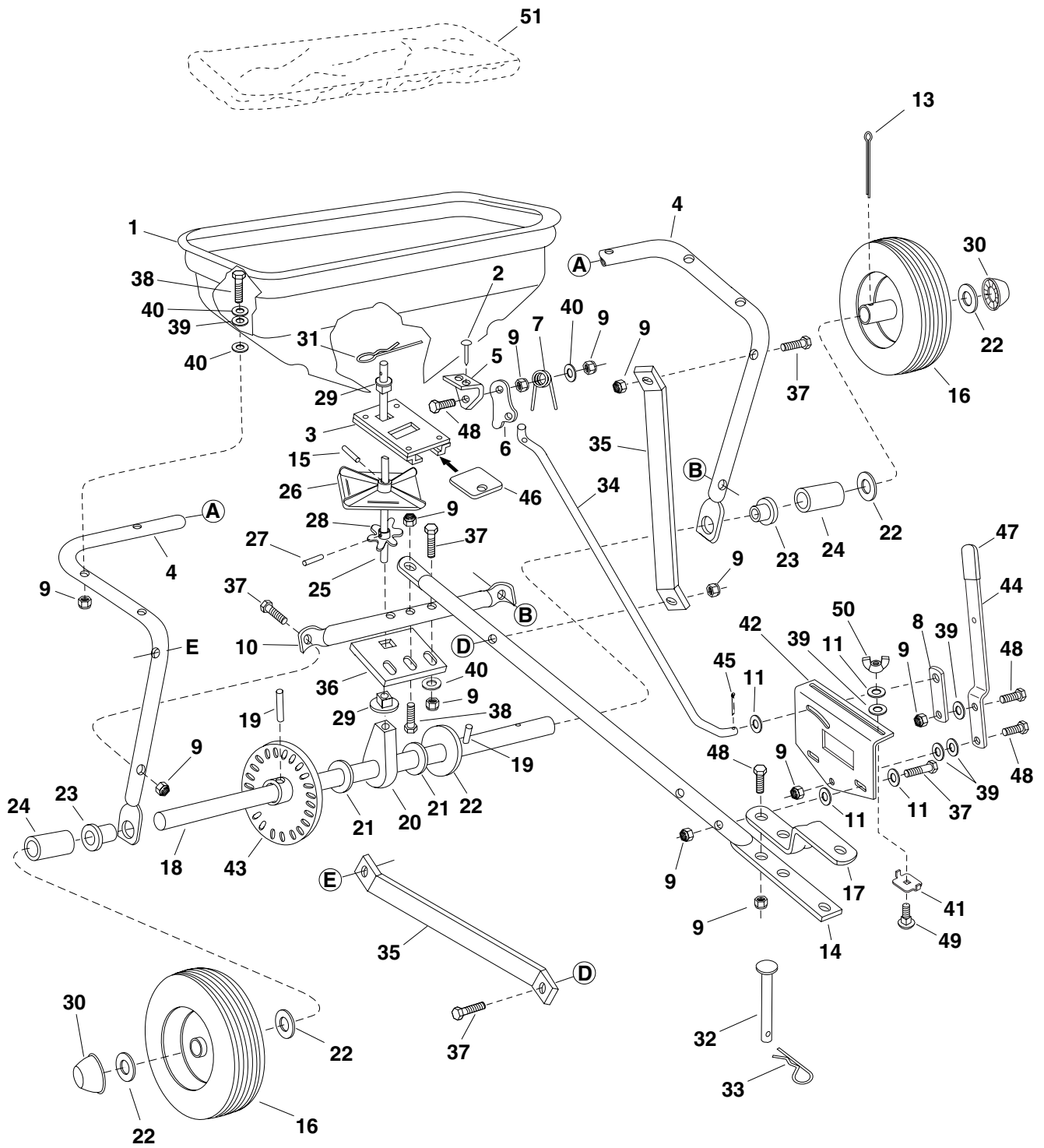


REPAIR PARTS FOR BROADCAST SPREADER MODEL 45-02114



REPAIR PARTS FOR BROADCAST SPREADER MODEL 45-02114

REF. NO.	PART NO.	QTY.	DESCRIPTION	REF. NO.	PART NO.	QTY.	DESCRIPTION
1	44466	1	Hopper	32	47623	1	Hitch Pin
2	C-9M5732	2	Rivet, Pop	33	43343	1	Hair Cotter Pin, 1/8"
3	62482	1	Ass'y, Guide Closure	34	44469	1	Rod, Flow Control
4	48842	1	Tube, Frame	35	23525	2	Brace, Hitch
5	23753	1	Slide Gate Angle Bracket	36	23780	1	Shaft Support Plate
6	23758	1	Slide Gate Bracket	37	43648	9	Bolt, Hex 1/4-20 x 1-1/2"
7	44566	1	Spring, Torsion	38	1509-69	7	Bolt, Hex 1/4-20 x 1-3/4"
8	24857	1	Flow Control Link	39	1543-69	10	Washer, Nylon
9	47189	22	Nut, Nylock 1/4-20	40	43088	16	Washer, Flat 1/4" Std.
10	48841	1	Tube, Crossover	41	24858	1	Stop, Adjustable
11	R19111116	6	Washer, 5/16 SAE	42	24855	1	Bracket, Flow Control Mount
12	43177	4	Lock Washer, 1/4"	43	48888	1	Gear, Slotted
13	47063	1	Pin, Cotter 5/32" x 2"	44	24859	1	Flow Control Arm
14	44586	1	Tube, Hitch	45	44101	1	Cotter Pin 3/32" x 3/4" Lg. *
15	46055	1	Pin, Spring 1/8" Dia. x 1" Lg.	46	23533	1	Plate, Closure
16	48954	2	Wheel	47	43848	1	Grip, Flow Control Arm
17	23818	1	Bracket, Hitch	48	43661	5	Bolt, Hex 1/4-20 x 1" Lg. *
18	25067	1	Shaft, Axle	49	44950	1	Bolt, Carriage 1/4-20 x 3/4"
19	44665	2	Pin, Spring 5/32" x 1-1/4"	50	47141	1	Wing Nut, Nylon
20	48916	1	Bushing, Axle Shaft	51	43962	1	Vinyl Cover (Optional)
21	44125	4	Washer, Flat 5/8" x 1"		49095	1	Owner's Manual
22	R19212016	5	Washer, Flat 5/8" x 1-1/4"				
23	741-0249	2	Bearing, Flange				
24	48857	2	Tube, Spacer				
25	23524	1	Shaft, Sprocket				
26	04367	1	Spreader Plate				
27	43850	1	Pin, Spring 1/8" Dia. x 5/8"				
28	44468	1	Sprocket, 6 Tooth				
29	44285	2	Bushing, Delrin				
30	48499	2	Hub Cap				
31	48934	1	Hairpin, Agitator				

*Purchase common hardware locally.

SpeedPart *the fastest way to purchase parts* www.speedpart.com