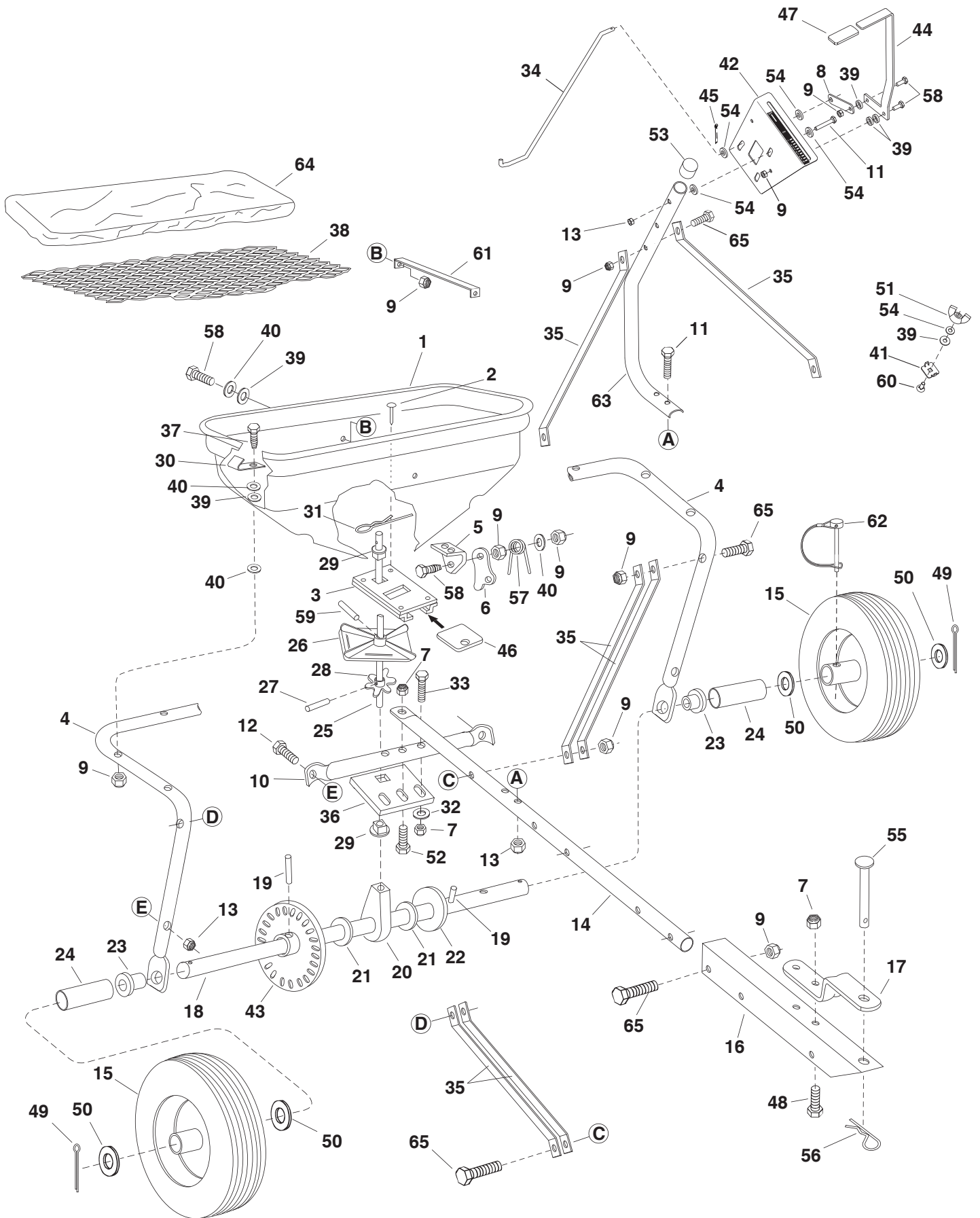


# REPAIR PARTS FOR BROADCAST SPREADER MODEL 45-03641



## REPAIR PARTS FOR BROADCAST SPREADER MODEL 45-03641

REF. NO.	PART NO.	QTY.	DESCRIPTION	REF. NO.	PART NO.	QTY.	DESCRIPTION
1	49414	1	Hopper	35	23525	6	Brace, Hitch
2	43882	4	Rivet, Stainless	36	23762	1	Shaft Support Plate
3	65129	1	Ass'y, Guide Closure	37	46699	6	Bolt, Hex 1/4-20 x 2"
4	44462	1	Tube, Frame	38	47441	1	Screen
5	23753	1	Slide Gate Angle Bracket	39	1543-69	12	Washer, Nylon
6	23758	1	Slide Gate Bracket	40	43088	15	Washer, Flat 1/4" Std.
7	HA21362	5	Nut, Hex 3/8-16 Nylock	41	24858	1	Stop, Adjustable
8	24857	1	Flow Control Link	42	24915	1	Bracket, Flow Control Mount
9	47189	18	Nut, Hex 1/4-20 Nylock	43	62474	1	Gear Assembly
10	43808	1	Tube, Crossover	44	24917	1	Flow Control Arm
11	43084	4	Bolt, Hex 5/16-18 x 1-3/4" Lg.	45	44101	1	Cotter Pin 3/32" x 3/4" Lg.*
12	44180	2	Bolt, Hex 5/16-18 x 2" Lg.	46	23533	1	Plate, Closure
13	47810	6	Nut, Hex 5/16-18 Nylock	47	43848	1	Grip, Flow Control Arm
14	48864	1	Tube, Hitch	48	43407	2	Bolt, Hex 3/8-16 x 3/4" Lg. *
15	48511	2	Wheel	49	43093	2	Pin, Cotter 1/8" x 1-1/2"
16	25080	1	Bracket, Hitch Extension	50	43009	4	Washer, Flat 3/4"
17	23014	1	Bracket, Hitch	51	47141	1	Wing Nut, Nylon
18	24914	1	Shaft, Axle	52	HA180132	1	Bolt, Hex 3/8-16 x 2-1/4" Lg. *
19	43851	2	Pin, Spring 3/16" Dia. x 1-1/4"	53	44481	1	Vinyl Cap
20	43871	1	Bushing, Axle Shaft	54	R19111116	7	Washer, 5/16 SAE
21	1540-32	5	Washer, Flat .78 I.D.	55	47623	1	Hitch Pin
22	1540-162	1	Washer, Flat 3/4"	56	43343	1	Hair Cotter Pin, 1/8"
23	47615	2	Bearing, Flange	57	44566	1	Spring, Torsion
24	47683	2	Tube, Spacer	58	43661	5	Bolt, Hex 1/4-20 x 1" Lg.*
25	25305	1	Shaft, Sprocket	59	46055	1	Pin, Spring 1/8" Dia. x 1" Lg.
26	04367	1	Spreader Impeller	60	44950	1	Bolt, Carriage 1/4-20 x 3/4"
27	43850	1	Pin, Spring 1/8" Dia. x 5/8".	61	25433	1	Strap, Hopper
28	44468	1	Sprocket, 6 Tooth	62	48515	1	Drive Pin W/Bail, 1/4" x 2"
29	44285	2	Bushing, Delrin	63	48514	1	Flow Control Mounting Tube
30	25672	2	Clip	64	49504	1	Vinyl Cover
31	48934	1	Hairpin Agitator	65	1509-69	6	Bolt, Hex 1/4-20 x 1-3/4" Lg.*
32	43070	5	Washer, Flat 3/8" *		49857	1	Owner's Manual
33	43054	2	Bolt, Hex 3/8-16 x 2" Lg.*				
34	48586	1	Rod, Flow Control				

\* Purchase common hardware locally.

**SpeedPart** *the fastest way to purchase parts* [www.speedepart.com](http://www.speedepart.com)